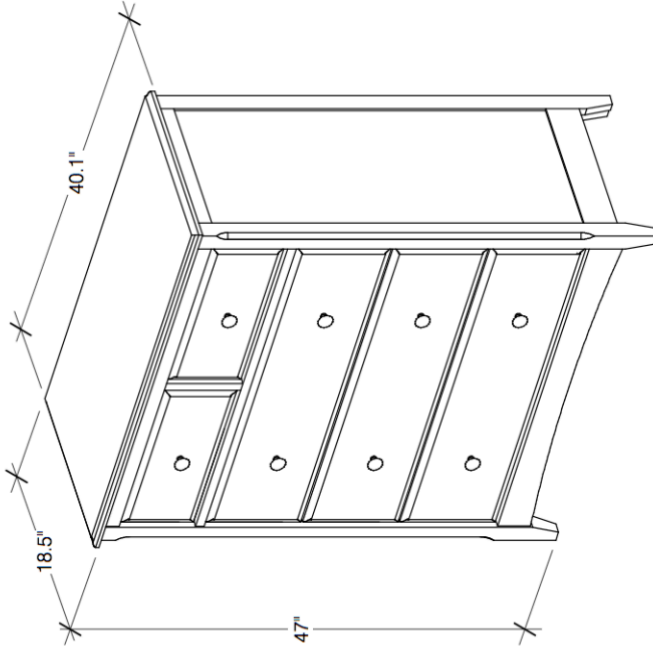
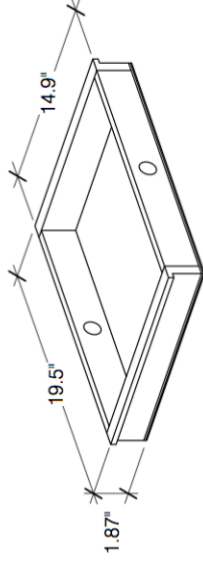


****Note: Secrets Tray is included**



**Spices Secrets 2
5 Drawer Chest**



Secrets Tray-Big

Spices Secrets 2: 5 Drawer Chest

Box H	Box W	Box L	Cubes	Net Wt.	Gr. Wt.
50.0"	20.3"	41.7"	24.48cuft	65.0Kg	70.4Kg
1270mm	515mm	1060mm	0.693m3	143.3lb	155.2lb

CD-SEC2-5B-

Assembled Product and Carton Dimensions*

**Please Note The Above Weights and Measures may be subject to change without notice.*

S P I C E S B E D R O O M C O L L E C T I O N

Spices Secrets 2

5 D r a w e r C h e s t