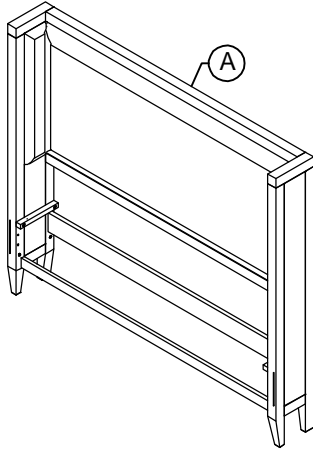


BORACAY FULL/QUEEN/E.KING SHELTER STORAGE BED ASSEMBLY INSTRUCTIONS



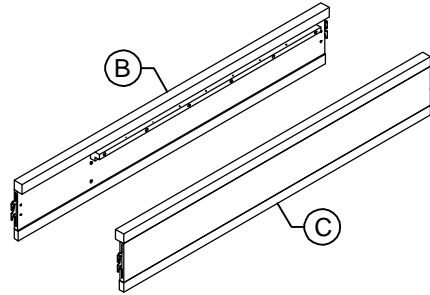
BOX #1

A. UPH SHELTER HEADBOARD 1PC



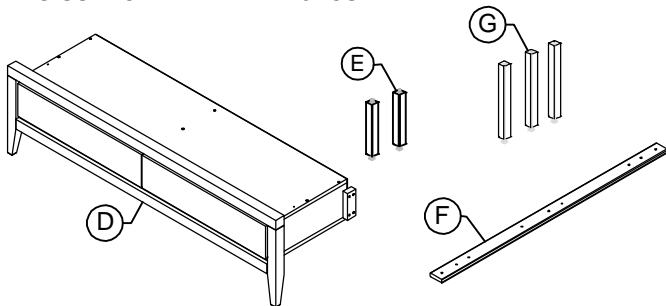
BOX #2

B. LEFT SHELTER SIDE RAIL 1PC
C. RIGHT SHELTER SIDE RAIL 1PC
BED HARDWARE BOX



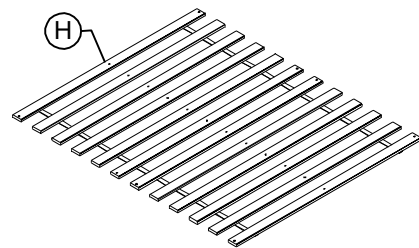
BOX #3

D. STORAGE FOOTBOARD 1PC
E. STORAGE LEG 2PCS
F. CENTER SLAT 1PC
G. LEG SUPPORT 3PCS

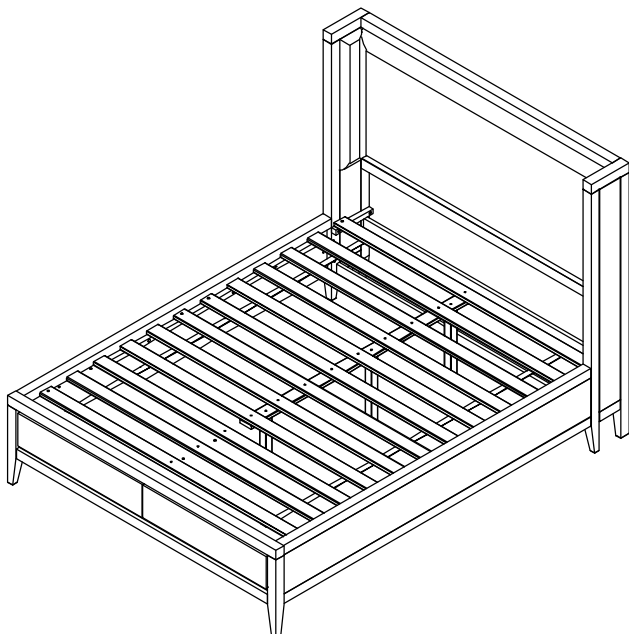


BOX #4

H. SLAT ROLL 1SET



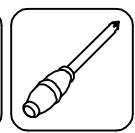
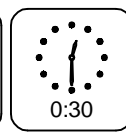
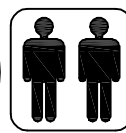
ASSEMBLY COMPLETE



HARDWARE PACKED IN BOX #2

1	WOOD SCREW (8X30mm)		9 PCS
2	ALLEN BOLT (6X40mm)		14 PCS
3	ALLEN KEY (L4)		1 PC

YOUR BOX
MAY CONTAIN
EXTRA HARDWARE

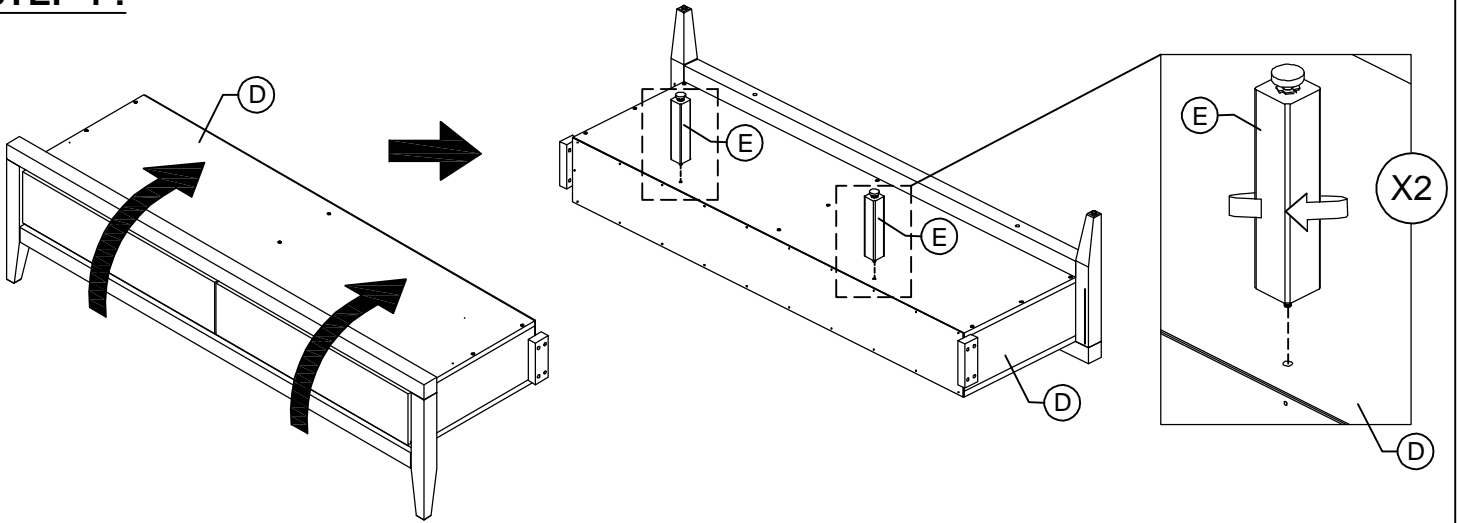


NOT PROVIDED

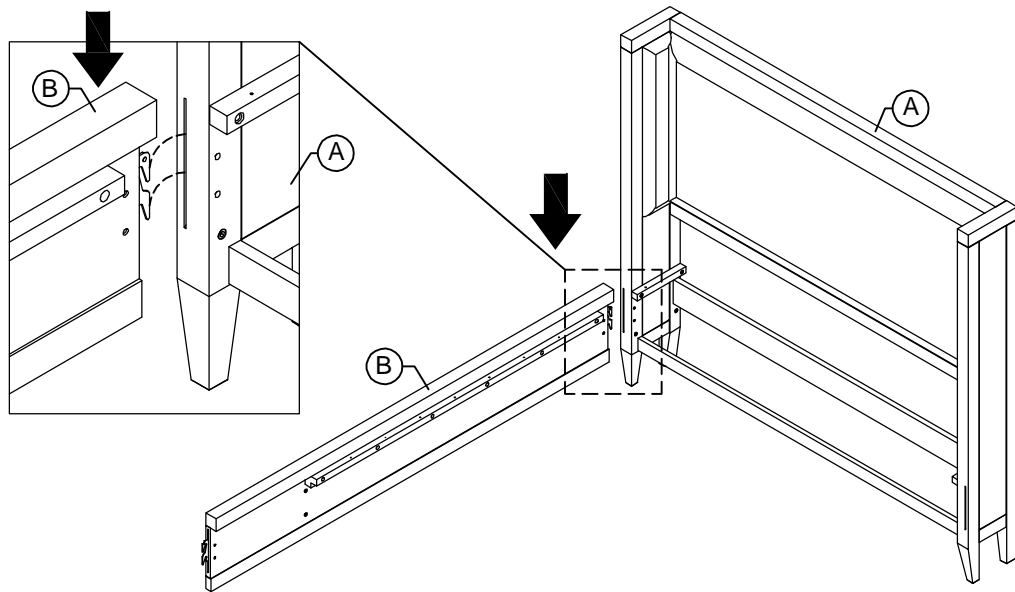
BORACAY FULL/QUEEN/E.KING SHELTER STORAGE BED ASSEMBLY INSTRUCTIONS



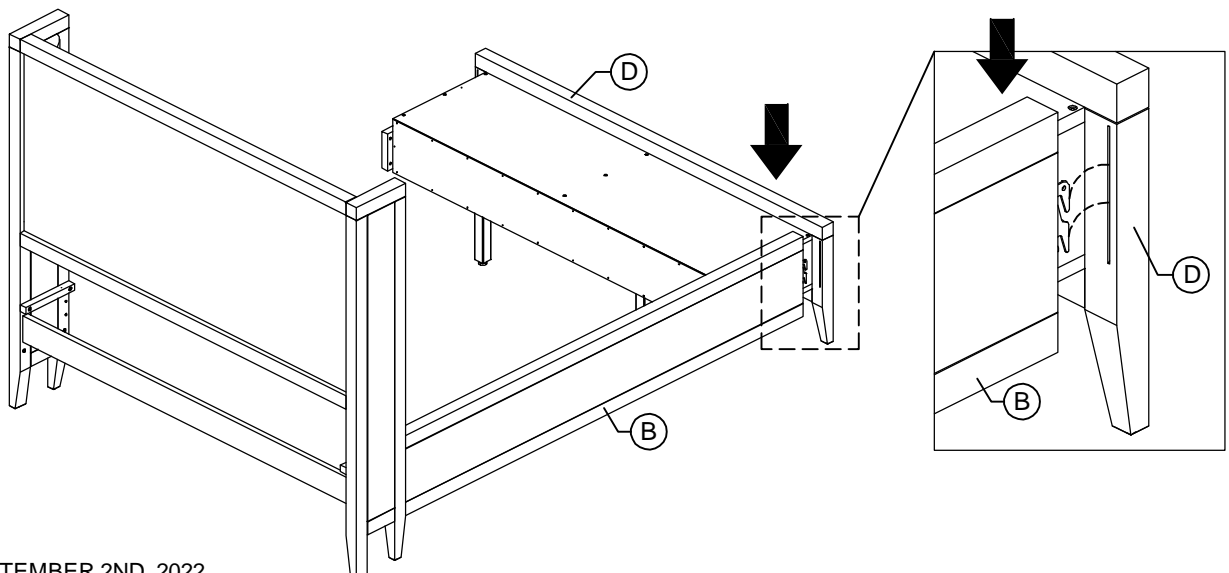
STEP 1 :



STEP 2 :



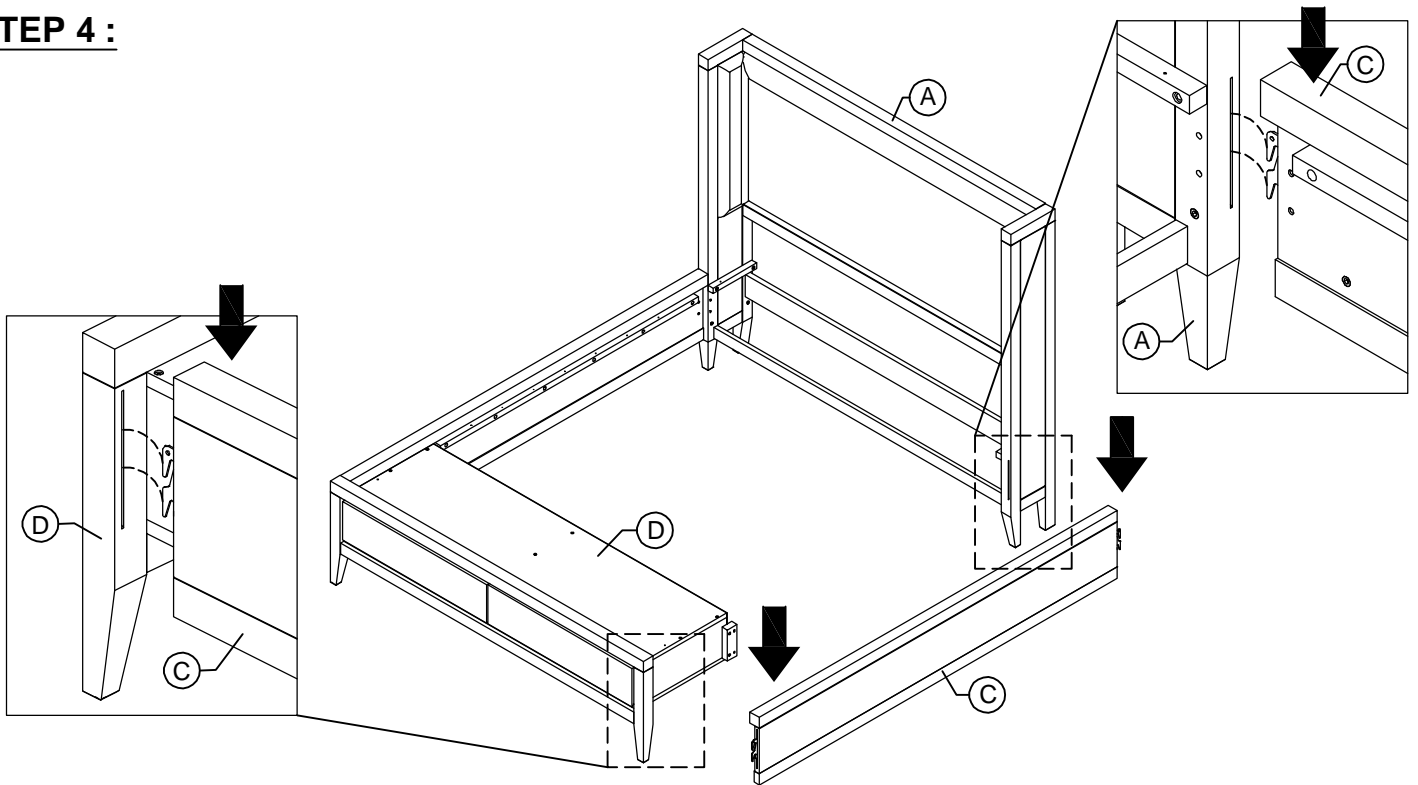
STEP 3 :



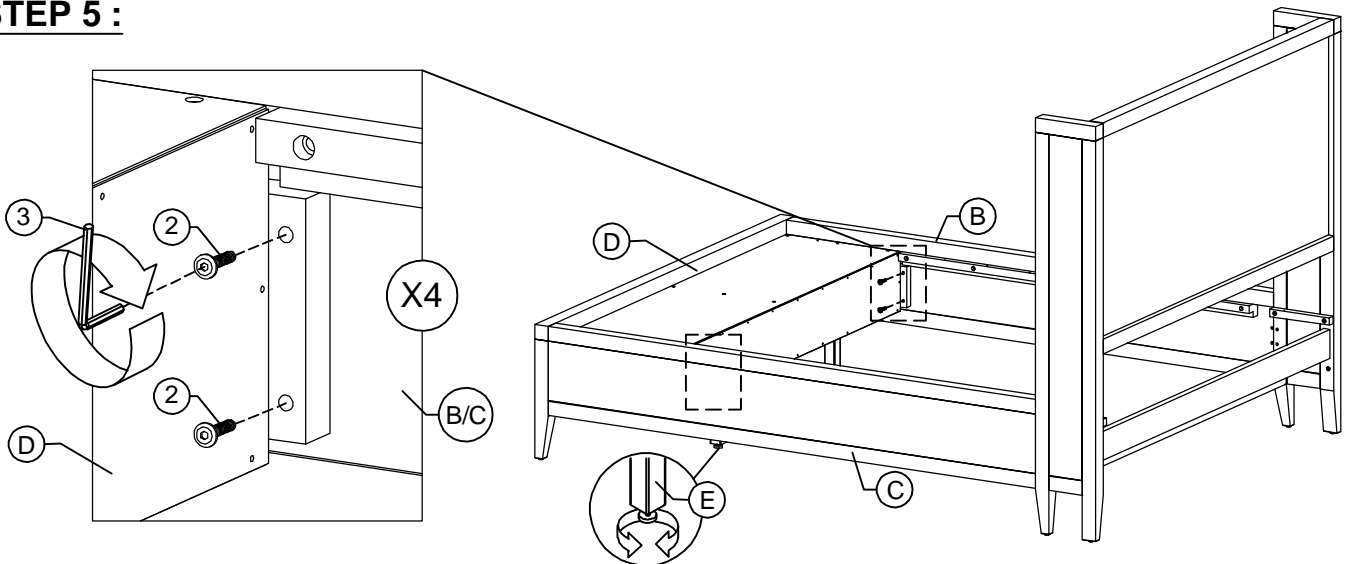
BORACAY FULL/QUEEN/E.KING SHELTER STORAGE BED ASSEMBLY INSTRUCTIONS



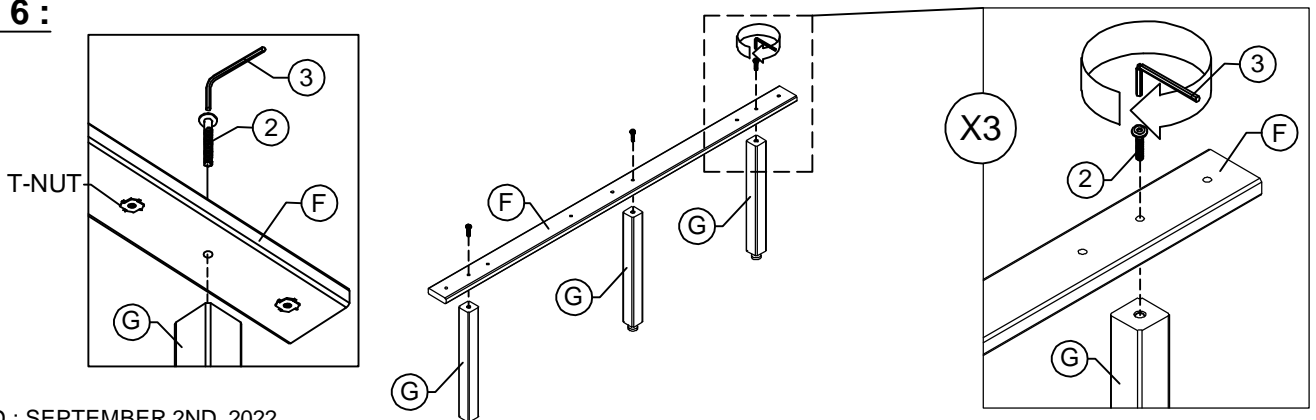
STEP 4 :



STEP 5 :



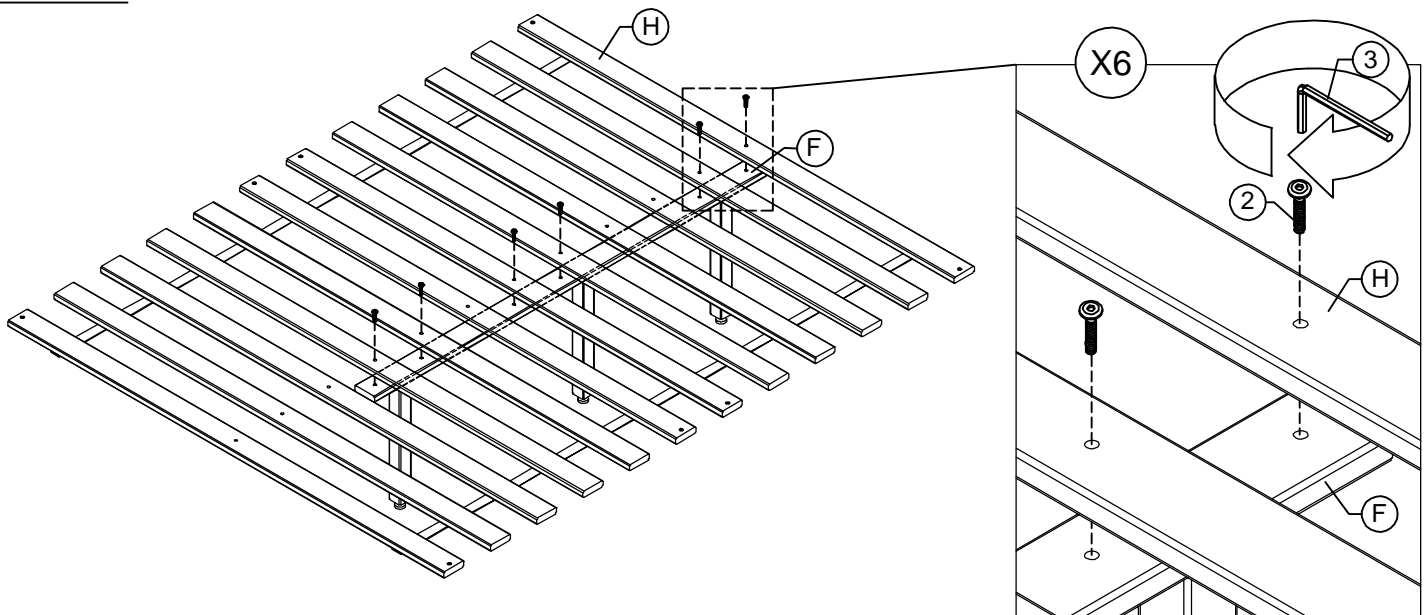
STEP 6 :



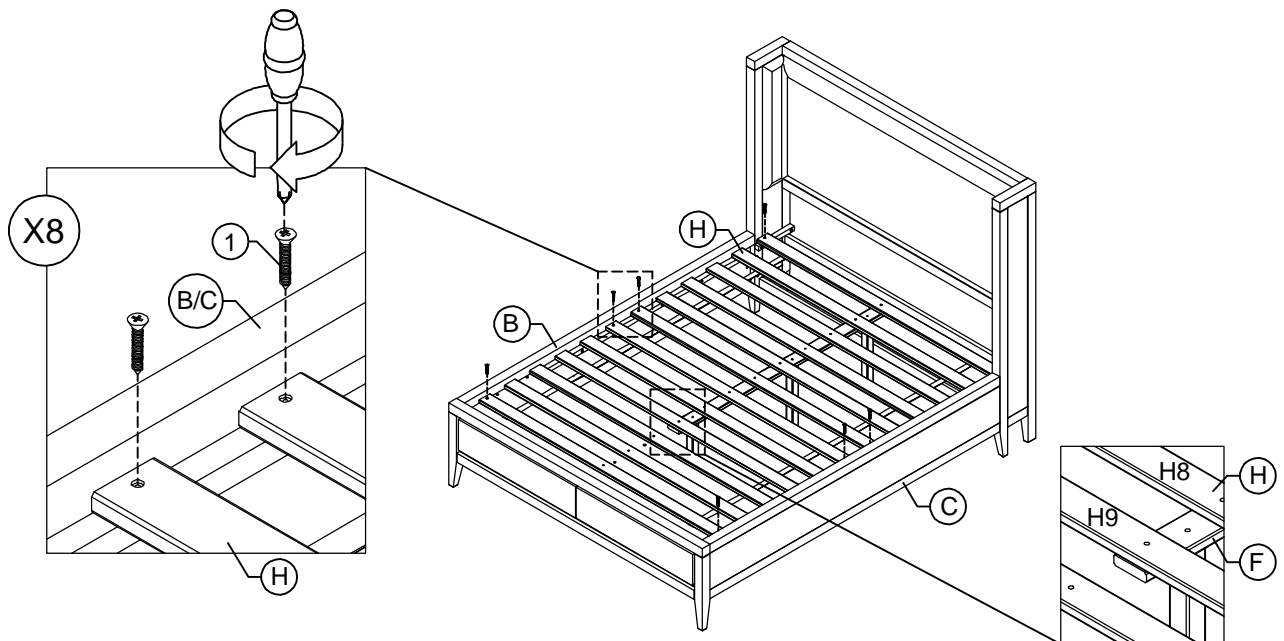
BORACAY FULL/QUEEN/E.KING SHELTER STORAGE BED ASSEMBLY INSTRUCTIONS



STEP 7 :



STEP 8 :

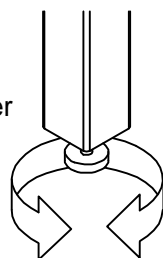


INSTRUCTIONS FOR ADJUSTING LEVELER :

Position the bed in your space and locate the leveler under each leg support (G) and storage leg (E).

Turn the leveler counter-clockwise to extend the leveler and clockwise to retract it.

Adjust each leveler until each leg support is applying equal, upward pressure on the center slat.



MAINTENANCE INSTRUCTION :

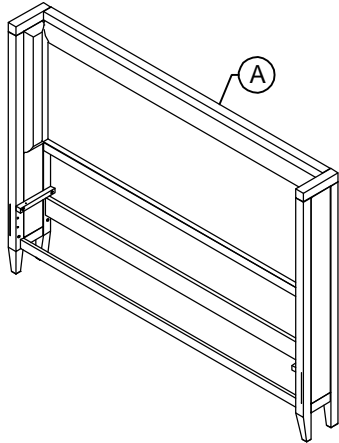
- Remove box spring and mattress before moving your bed.
- Lift your bed when moving it. Dragging can damage the leg support.
- Readjust levelers after moving your bed.
- Periodically tighten all fittings, which can loosen over time.

BORACAY C.KING SHELTER STORAGE BED ASSEMBLY INSTRUCTIONS



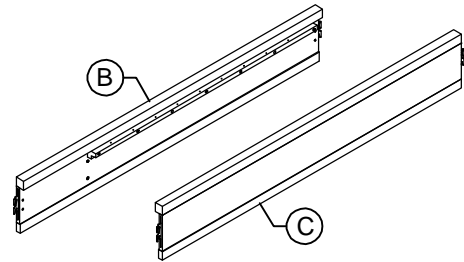
BOX #1

A. UPH SHELTER HEADBOARD 1PC



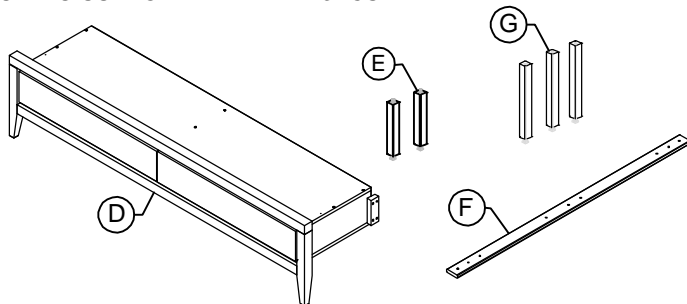
BOX #2

B. LEFT SHELTER SIDE RAIL 1PC
C. RIGHT SHELTER SIDE RAIL 1PC
BED HARDWARE BOX



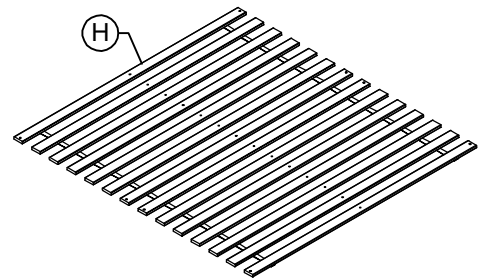
BOX #3

D. STORAGE FOOTBOARD 1PC
E. STORAGE LEG 2PCS
F. CENTER SLAT 1PC
G. LEG SUPPORT 3PCS

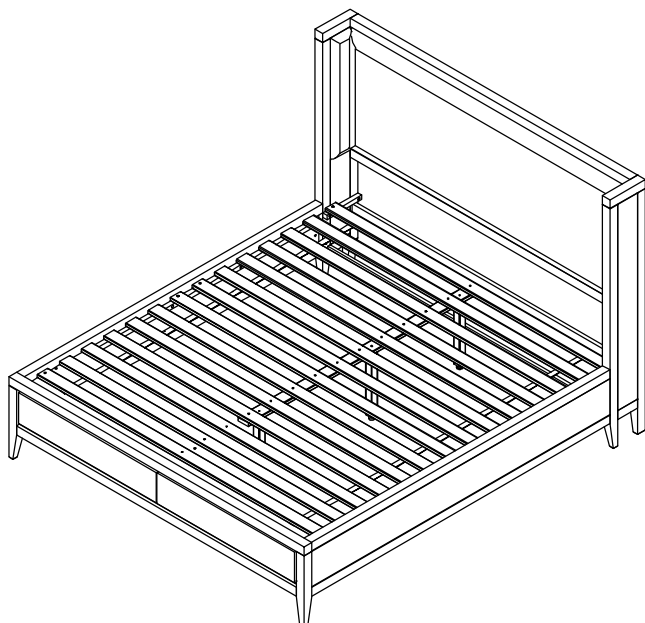


BOX #4

H. SLAT ROLL 1SET



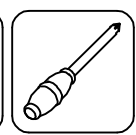
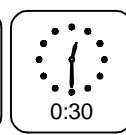
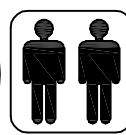
ASSEMBLY COMPLETE



HARDWARE PACKED IN BOX #2

1	WOOD SCREW (8X30mm)		9 PCS
2	ALLEN BOLT (6X40mm)		14 PCS
3	ALLEN KEY (L4)		1 PC

YOUR BOX
MAY CONTAIN
EXTRA HARDWARE

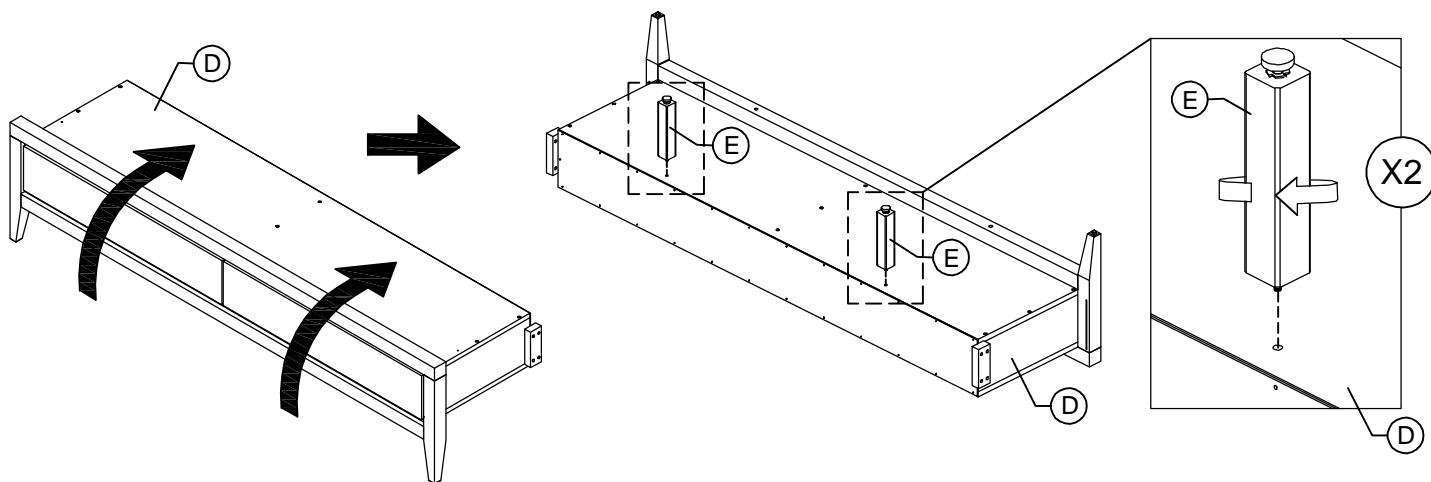


NOT PROVIDED

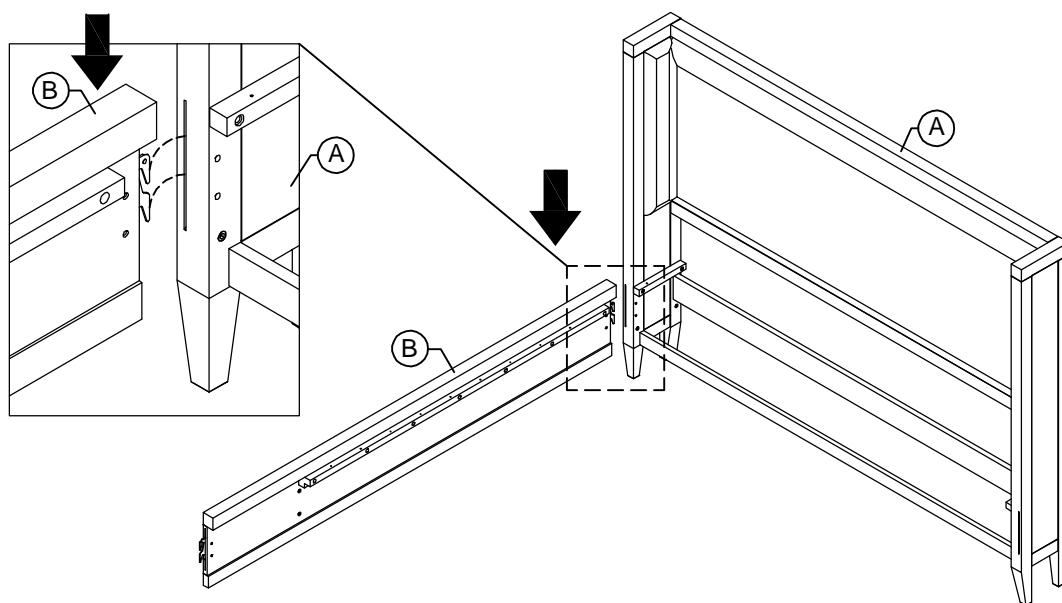
BORACAY C.KING SHELTER STORAGE BED ASSEMBLY INSTRUCTIONS



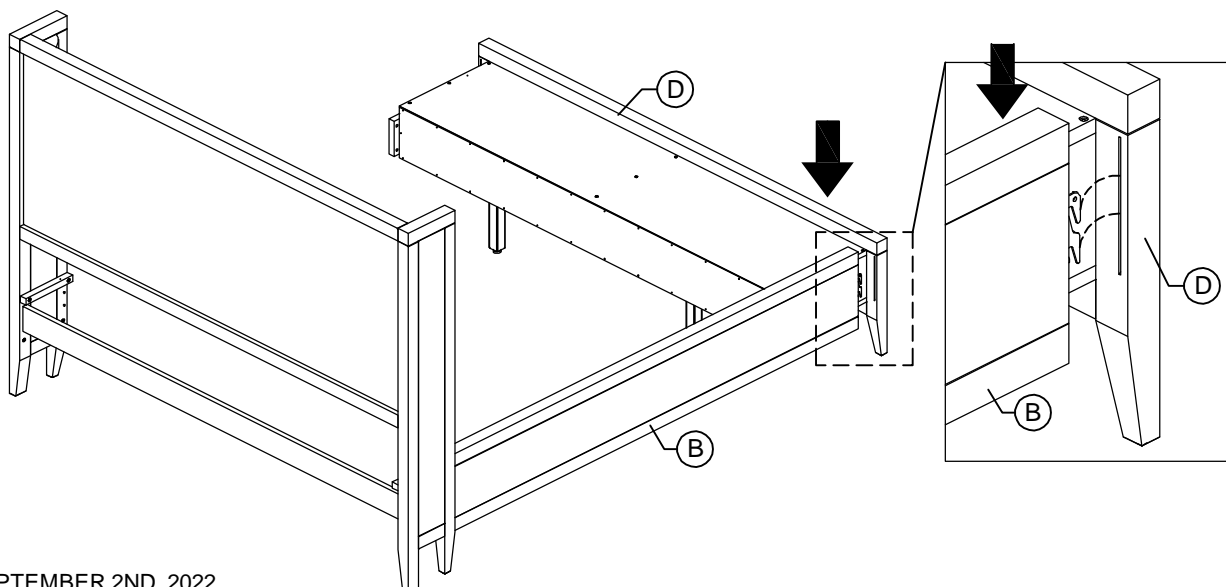
STEP 1 :



STEP 2 :



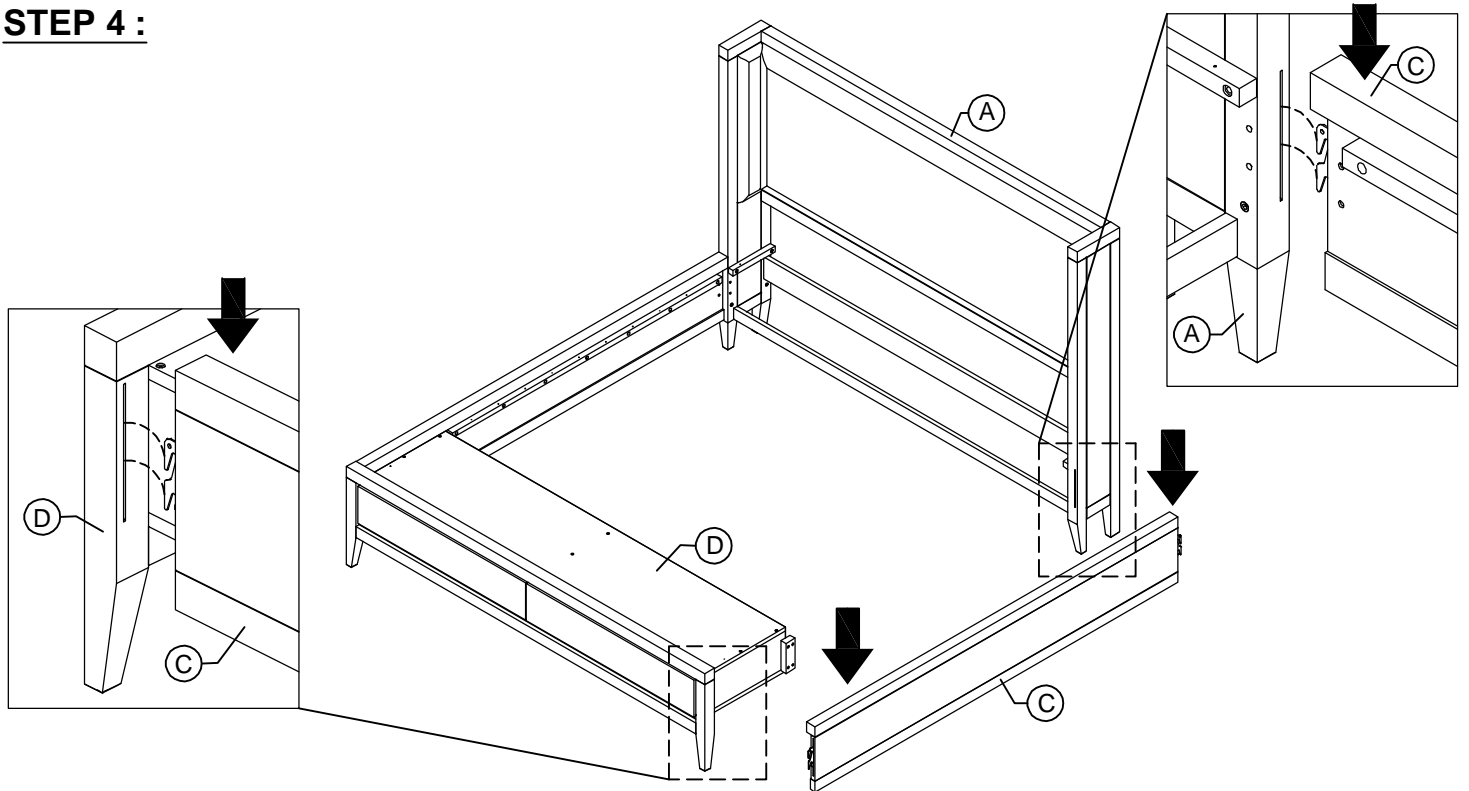
STEP 3 :



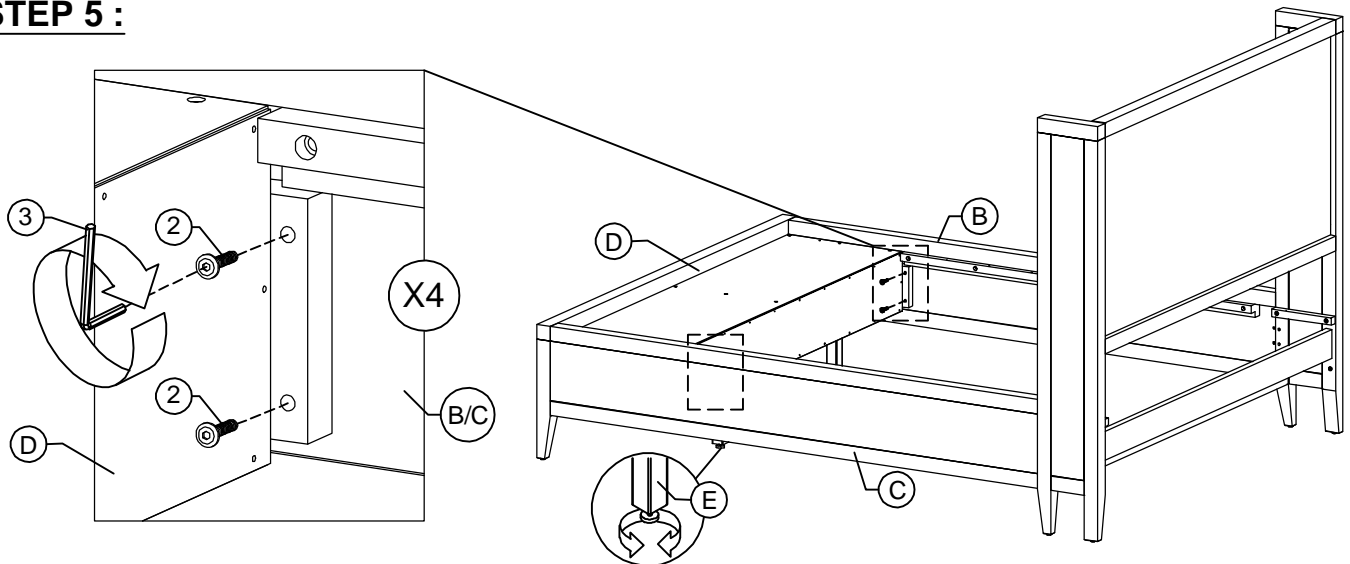
BORACAY C.KING SHELTER STORAGE BED ASSEMBLY INSTRUCTIONS



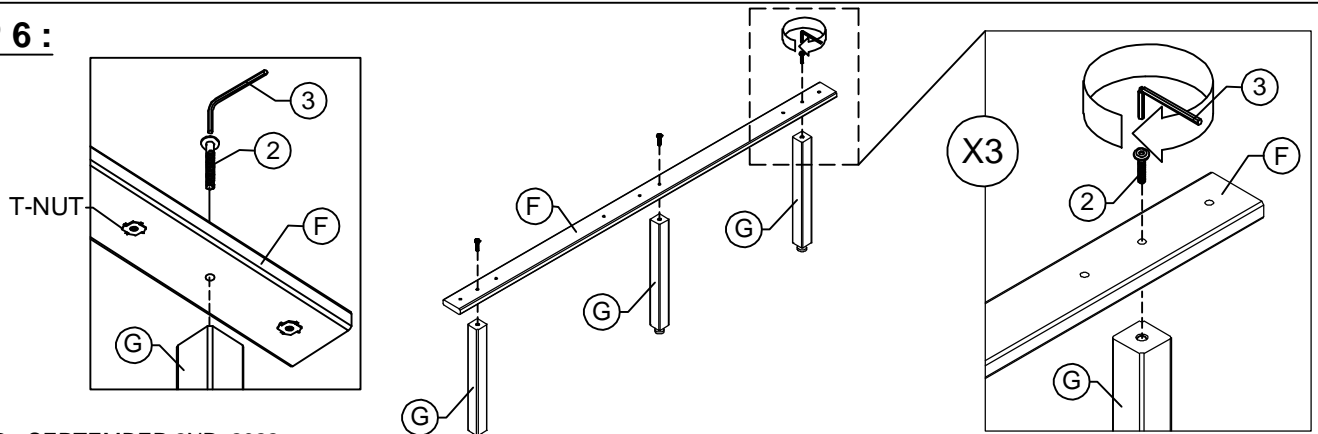
STEP 4 :



STEP 5 :



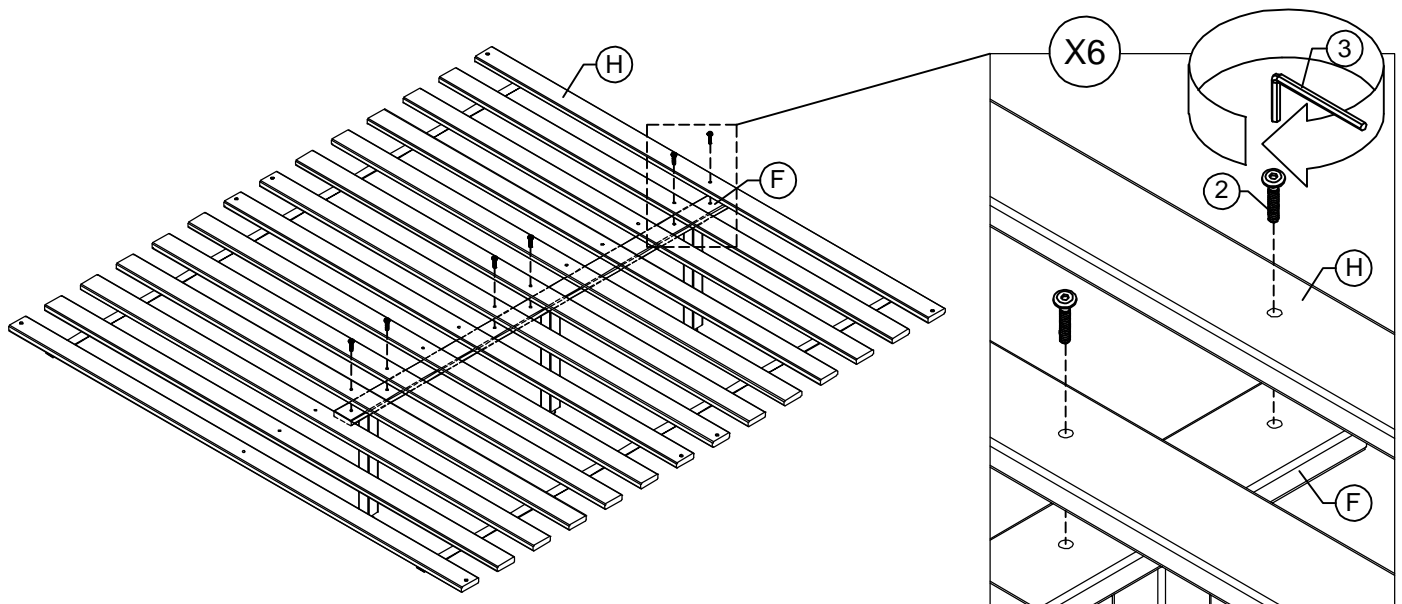
STEP 6 :



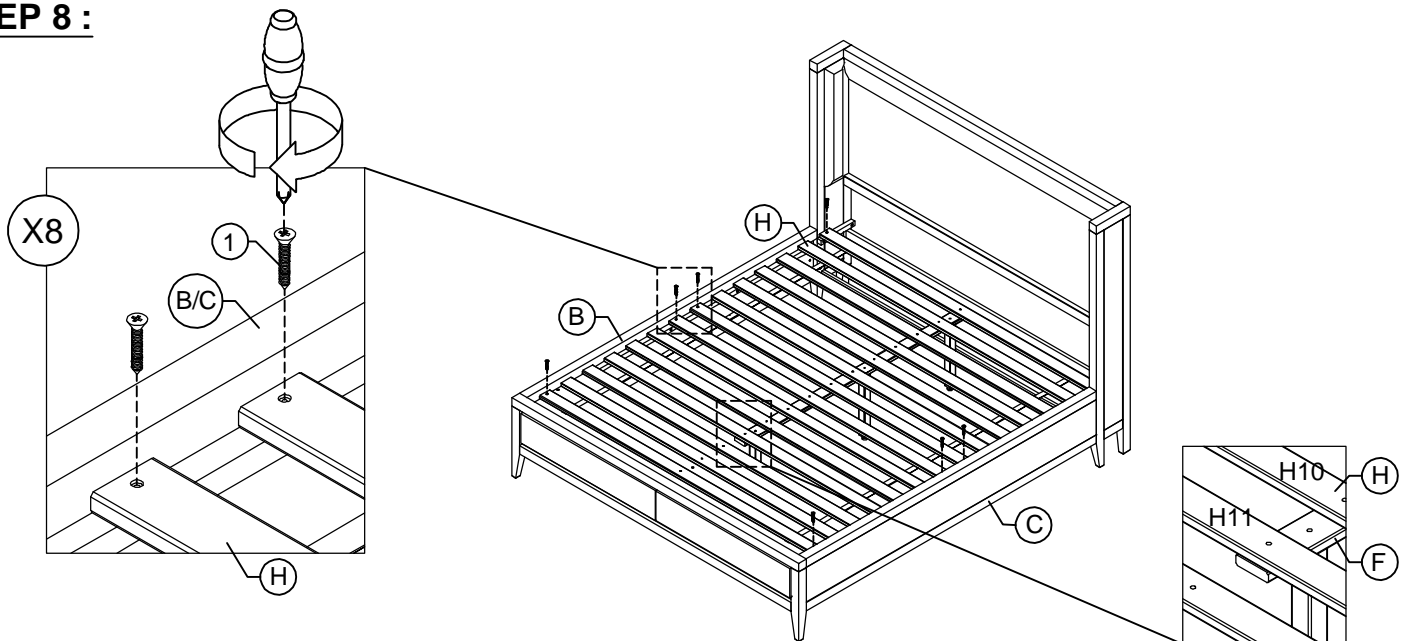
BORACAY C.KING SHELTER STORAGE BED ASSEMBLY INSTRUCTIONS



STEP 7 :



STEP 8 :

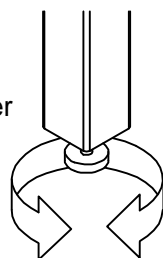


INSTRUCTIONS FOR ADJUSTING LEVELER :

Position the bed in your space and locate the leveler under each leg support (G) and storage leg (E).

Turn the leveler counter-clockwise to extend the leveler and clockwise to retract it.

Adjust each leveler until each leg support is applying equal, upward pressure on the center slat .



MAINTENANCE INSTRUCTION :

- Remove box spring and mattress before moving your bed.
- Lift your bed when moving it. Dragging can damage the leg support.
- Readjust levelers after moving your bed.
- Periodically tighten all fittings, which can loosen over time.